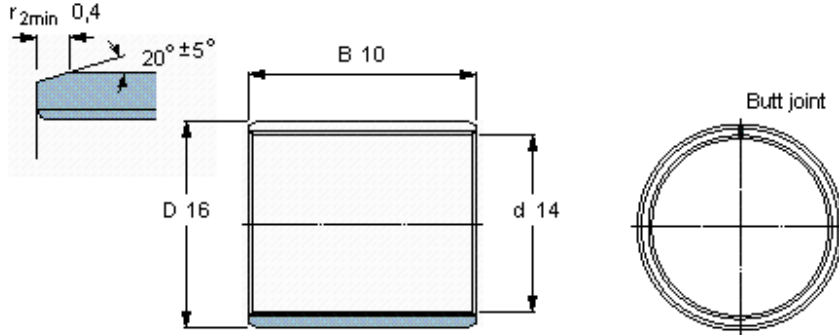


Composite dry sliding bushings, metric dimensions

Principal dimensions			Basic load ratings		Mass	Designation
d	D	B	dynamic C	static C0		
mm			kN		kg	-
14	16	10	11,2	34,5	0,0035	PCM 141610 E



Specific load factor
Material constant

K 80
K_M 480